

## MODEL

A02



Black



Red



Blue



Purple



White



## 1 MATERIAL

- RoHS approved ChiMei Polycarbonate (Optional)
- UL/RoHS approved ChiMei Acrylate Styrene Acrylonitrile (Default)
- PC copolymer with enhanced UV stabilization Lexan Resin SLX2432T (Optional)
- Explosion-proof Carbon loaded ABS and flame resistant ABS material are available

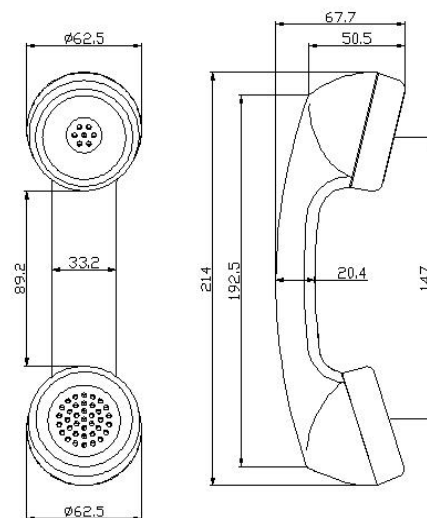
## 2 SPECIFICATION

|                      |               |
|----------------------|---------------|
| Waterproof Grade     | IP65          |
| Ambient Noise        | ≤60dB         |
| SLR                  | 5~15dB        |
| RLR                  | -7~2dB        |
| STMR                 | ≥7dB          |
| Working Temperature  | -25°C ~ +65°C |
| Relative Humidity    | ≤95%          |
| Atmospheric Pressure | 80Kpa-110Kpa  |
| Certification        | CE approved   |

### 3 RECEIVER

- Standard Receiver-Dynamic EA1502 (Default)
  - DC Resistance :  $130\pm 10$  ohm
  - Frequency Response Range: 300 Hz-3400 Hz
  - Sensitivity:  $95\pm 3$  dB at 60mv
  - Impedance:  $150\pm 20$  ohm at 1 KHz
- EA1509 high magnetic receiver (Optional)
  - MF Intensity Axial:  $-58\pm 2$ dB at 1KHz 60mV, 0 dB=1 A/m
  - Frequency Response Range: 300 Hz-3400 Hz
  - Sensitivity:  $100\pm 2$  dB at 60mv
  - Impedance:  $150\pm 20$  ohm at 1 KHz
- EA1512 hearing-aid receiver (Optional)
  - MF Intensity radial  $\geq -22$ dB at 1KHz, 0 dB=1 A/m
  - Frequency Response Range: 300 Hz-3400 Hz
  - Sensitivity:  $98\pm 2$  dB at 1 Hz 60mV
  - Impedance:  $150\pm 20$  ohm at 1 KHz 60mV

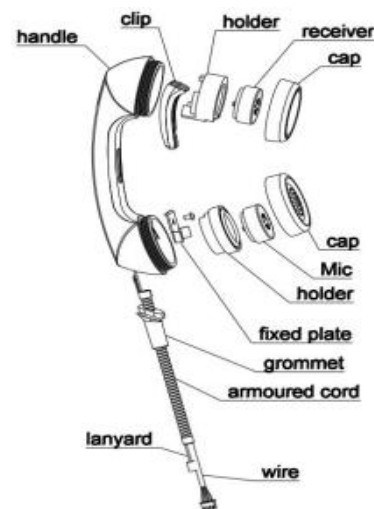
### 4 DIMENSION DRAWING



### 5 MICROPHONE

- Standard Microphone-Dynamic EA1502 (Default)
  - DC Resistance :  $130\pm 10$  ohm
  - Frequency Response Range: 300 Hz-3400 Hz
  - Sensitivity:  $95\pm 3$  dB at 60mv
  - Impedance:  $150\pm 20$  ohm at 1 KHz
- Dynamic 300 ohms, 600ohms microphone (Optional)
- A15T02 Noise Canceling microphone (Optional)
  - Frequency Response Range: 200 Hz-4000 Hz
  - Sensitivity:  $-65\pm 3$  dB
  - Impedance:  $10\pm 20$  ohm
  - Signal to Noise Ratio:  $\geq 15$  dB
- EB5421 Electret Microphone (Optional)
- EAOZ03 Carbon-equivalent Microphone (Optional)

### 6 STRUCTURE DRAWING



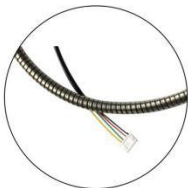
### 7 CORD

- PVC curly cord (Default)
  - Standard cord length 9 inch in retracted, 6 feet after extended (Default)
  - Customized different length is available.
- Weather resistant PVC curly cord (Optional)
- Hytel curly cord (Optional)
- SUS304 Stainless steel armoured cord (Default)
  - Standard armoured cord length 32 inch and 10 inch, 12 inch, 18 inch and 23 inch are optional.
  - Includes steel lanyard which is anchored to handset handle. Matched steel rope with different pull strength.
  - Dia: 1.6mm, 0.063", Pull test load: 170 kg, 375 lbs.
  - Dia: 2.0mm, 0.078", Pull test load: 250 kg, 551 lbs.
  - Dia: 2.5mm, 0.095", Pull test load: 450 kg, 992 lbs.

8 CONNECTOR



Y Spade



2.54mm XH Plug



2.0mm PH Plug



RJ Connector



3.5mm Two-audio Jack



Single Audio Jack



Bare Wire



Aviation Connector



Aviation Connector



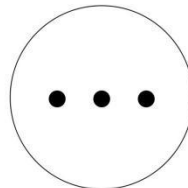
Aviation Connector



6.35mm Audio Jack



USB Connector



More

9 APPLICATION



This handset is mainly for jail, industrial telephone, vending machine communication, security system and some other public facilities.

10 MATCHED CRADLE



C01: Zinc alloy hook switch



C12: Plastic hook switch



C13: zinc alloy hook switch



C03: plastic reed switch



C06: zinc alloy metal switch



C11: plastic reed switch